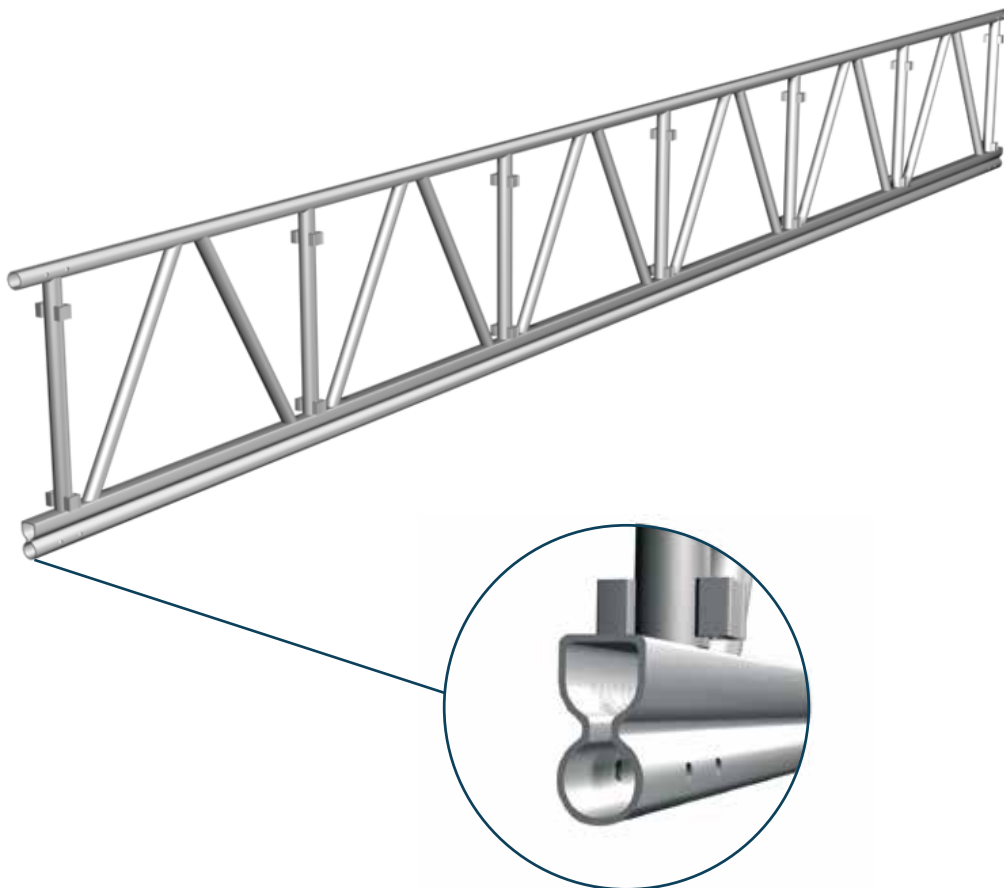


HAKI Lattice beam 750

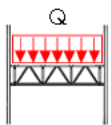
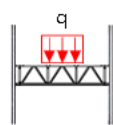
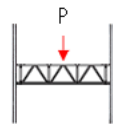
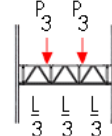
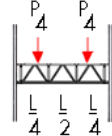


HAKI Lattice beam 750 was originally designed for the HAKITEC weather protection and sheeting system, but can also be used as a lattice beam in scaffolding.

- Optimised design
- The beam's special profile gives great strength
- Pockets for easy fitting of HAKI Universal guardrail frames as bracing
- Rigid joints using simple connector tubes and spring pins
- Design in accordance with EN 12811

Permitted loads HAKI Lattice beam 750

The loads below apply when the lattice beam is used as part of a work platform.
The lattice beam must be braced against lateral instability at fastenings and at least every second metre.
Use GFL guardrail frames as bracing.

						
Distance support L [m]	Permissible distributed load q [kN/m]	Permissible distributed load Q [kN]	Permissible distributed load q on 0,4L [kN/m]	Permissible centre point load P [kN]	Permissible point loads P ₃ [kN]	Permissible point loads P ₄ [kN]
3	16.9	50.7	28.3	12.9	10.8	10.8
4	13.3	53.2	22.9	12.0	10.0	10.0
5	9.6	48.0	17.6	11.1	9.3	9.3
6	6.7	40.2	12.7	10.5	8.9	8.9
7	5.0	35.0	8.7	9.9	8.5	8.5
8	4.0	32.0	6.7	9.5	8.2	8.2
9	3.2	28.8	5.2	9.0	7.9	7.9
10	2.6	26.0	4.0	8.5	7.7	7.7
11	2.1	23.1	3.3	8.1	7.4	7.4
12	1.8	21.6	2.8	7.8	7.1	7.1
13	1.5	19.5	2.3	7.5	6.7	6.9
14	1.2	16.8	2.0	7.2	6.0	6.6
15	1.0	15.0	1.7	6.9	5.5	6.3
16	0.9	14.4	1.5	6.7	5.1	6.1
17	0.8	13.6	1.3	6.4	4.7	5.9
18	0.7	12.6	1.1	6.1	4.4	5.7
19	0.6	11.4	1.0	5.9	4.1	5.4
20	0.5	10.0	0.9	5.7	3.9	5.1
21	0.5	10.5	0.8	5.5	3.6	4.9

1 kN = 100 kp

Note.:

Point load distribution = 50 mm.

All load instances include the beam's deadweight.

For point loads on joints, please contact HAKI's technical department.